

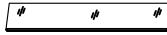

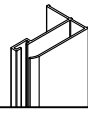
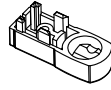

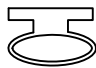
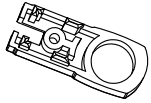
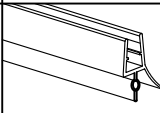
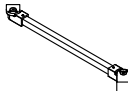
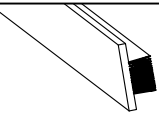
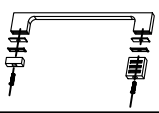

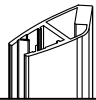

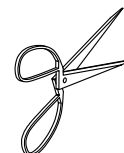
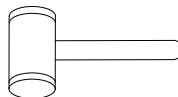
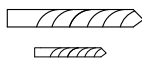
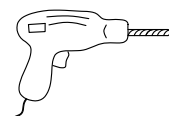
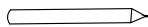
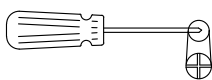
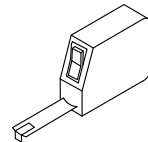
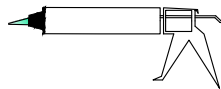
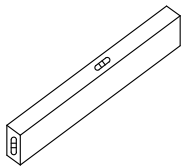
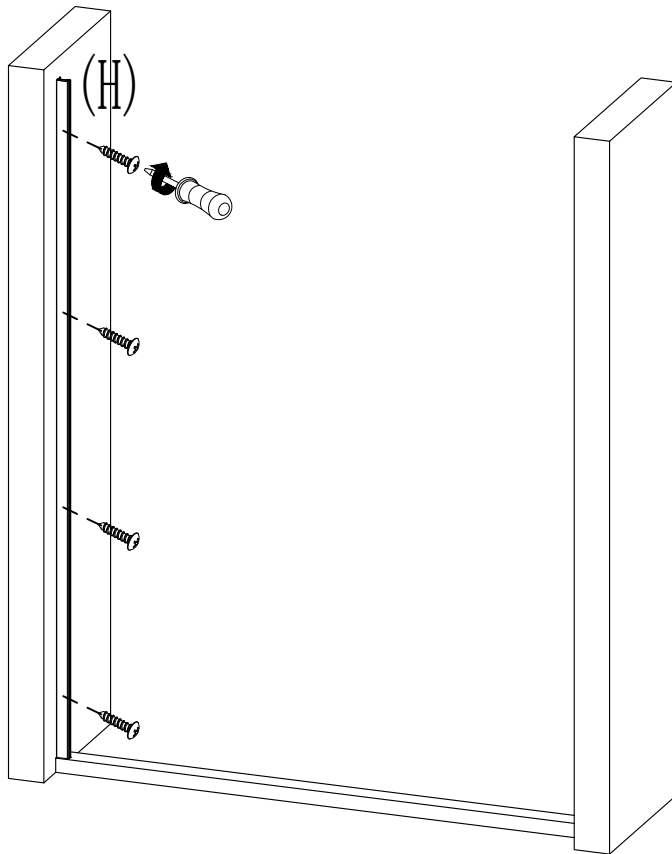
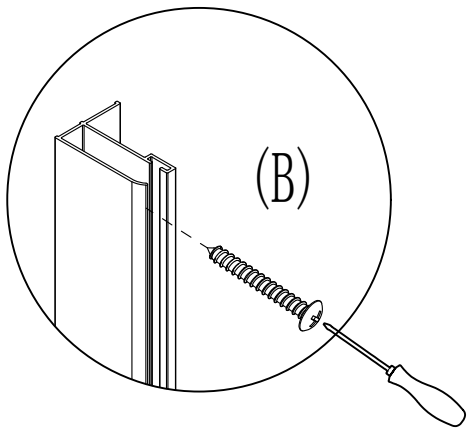
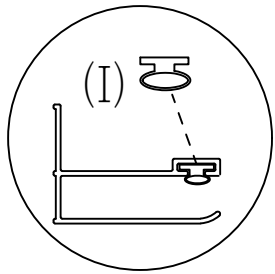
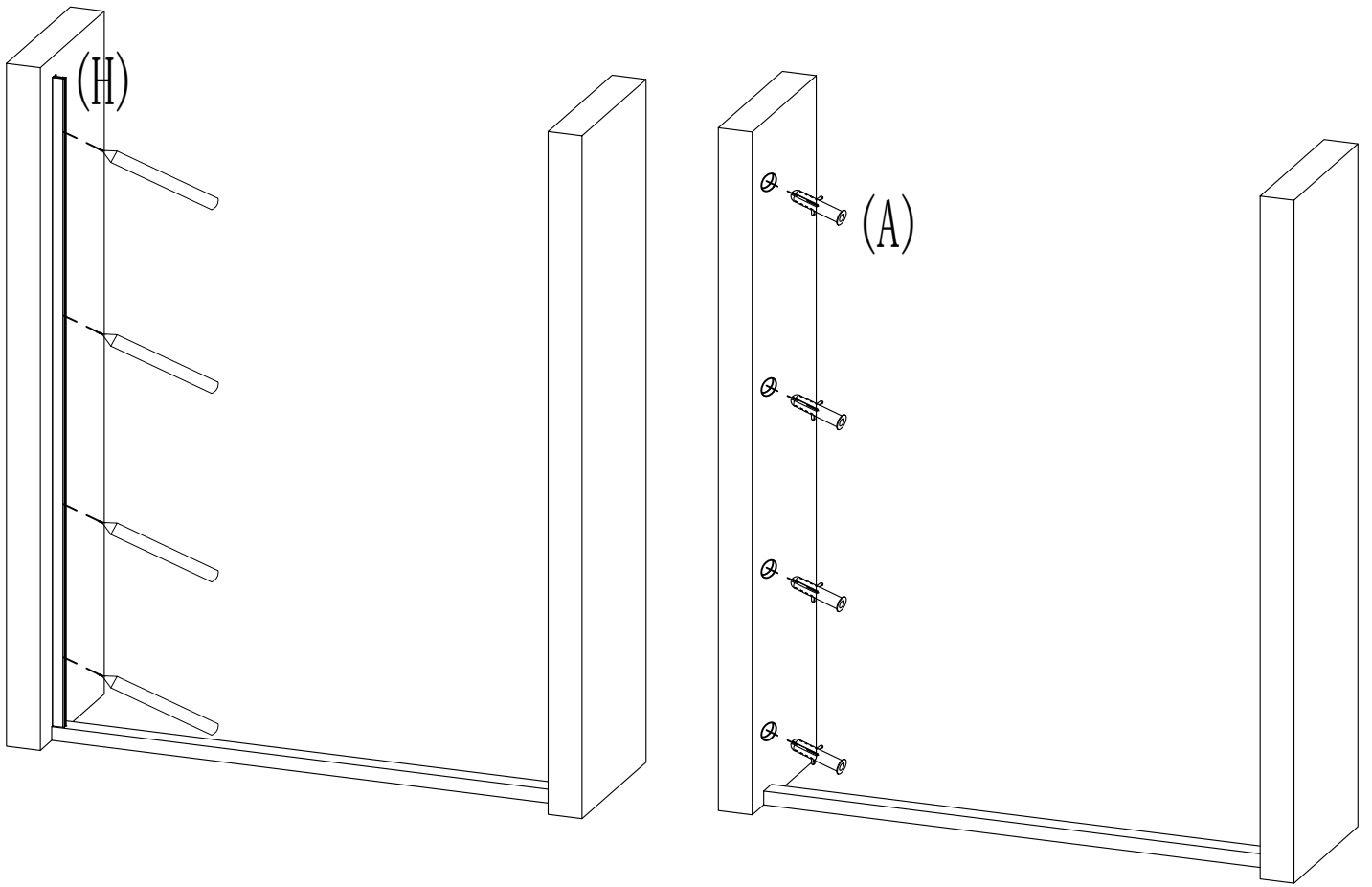
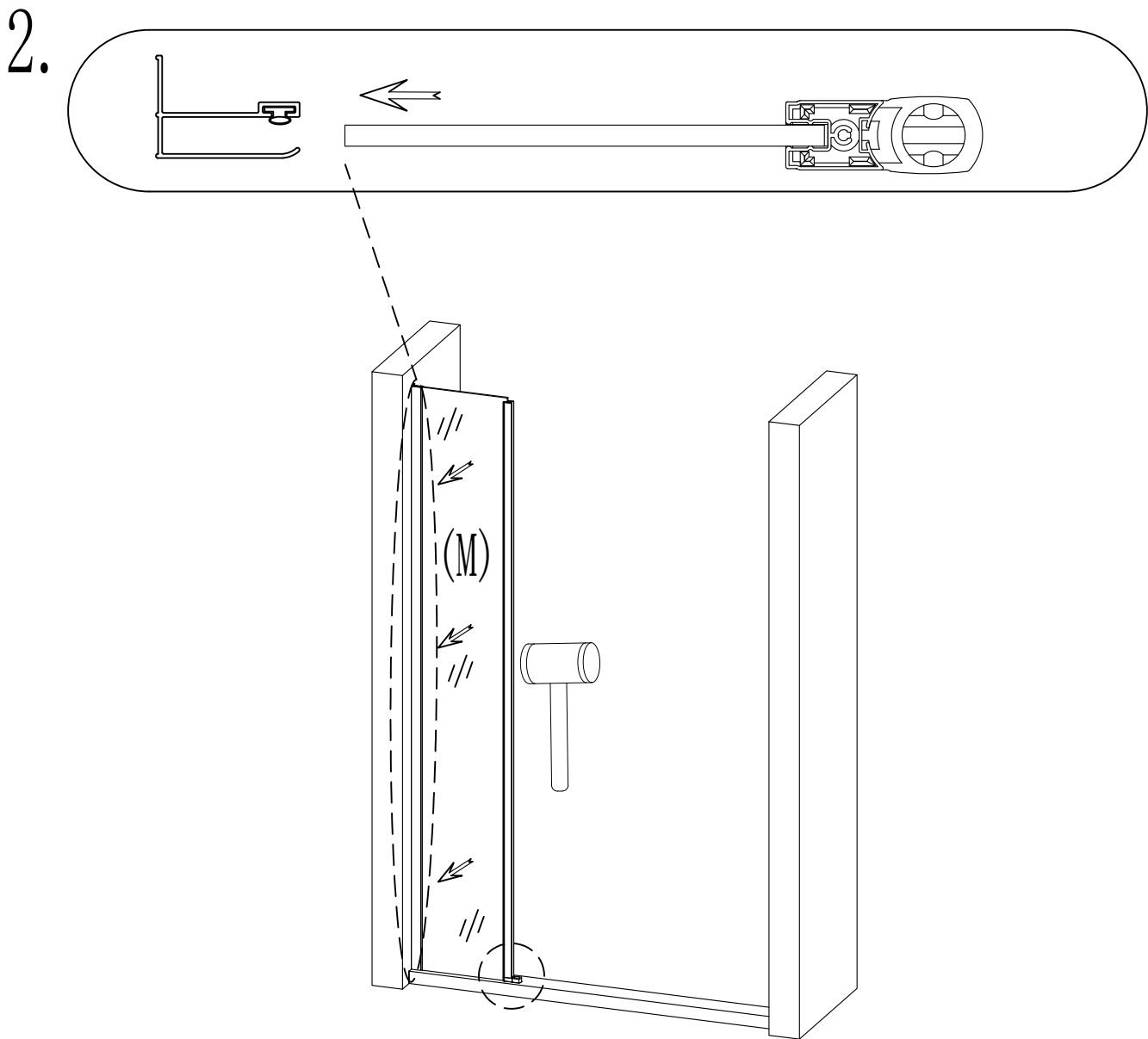
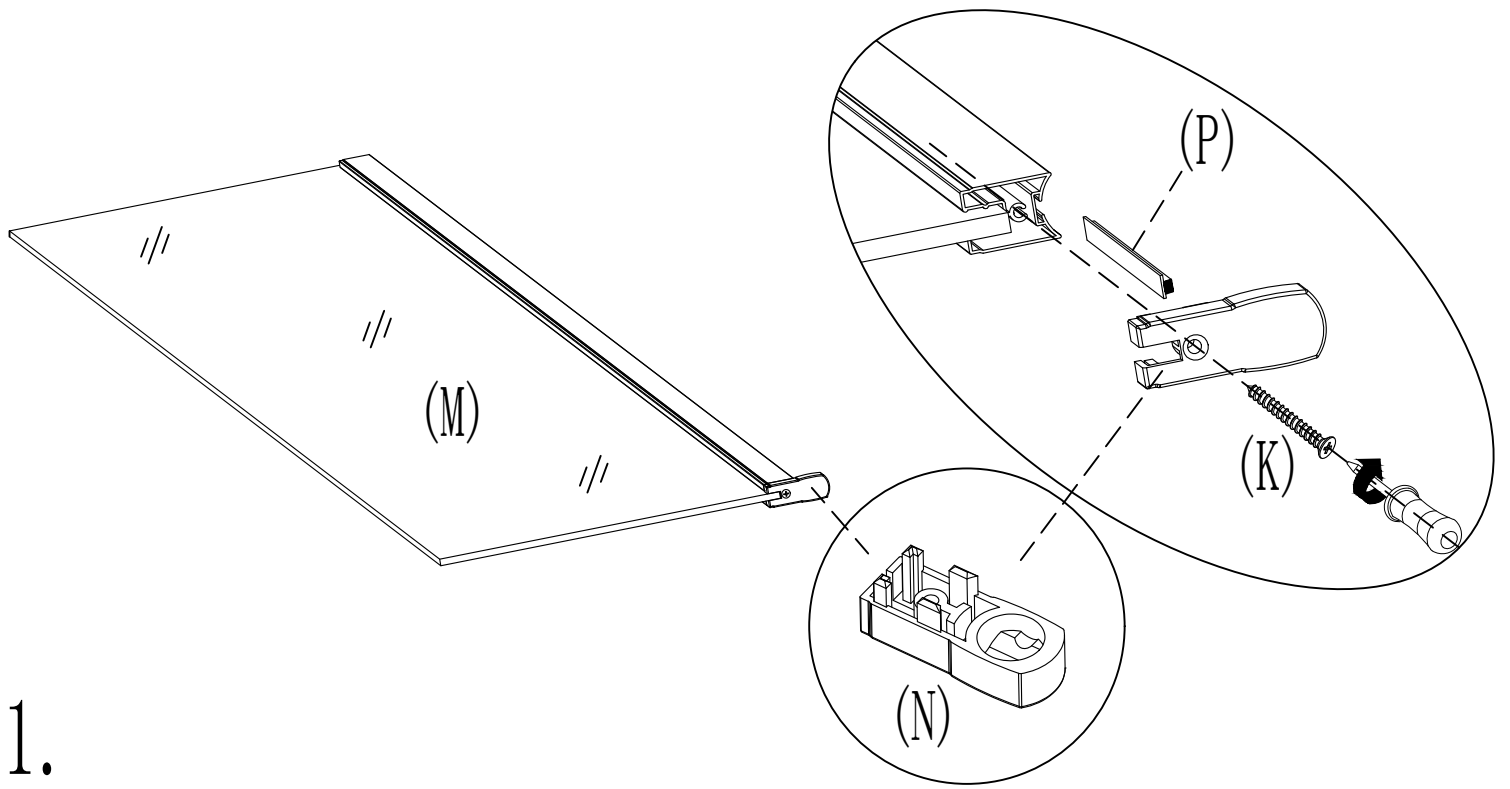


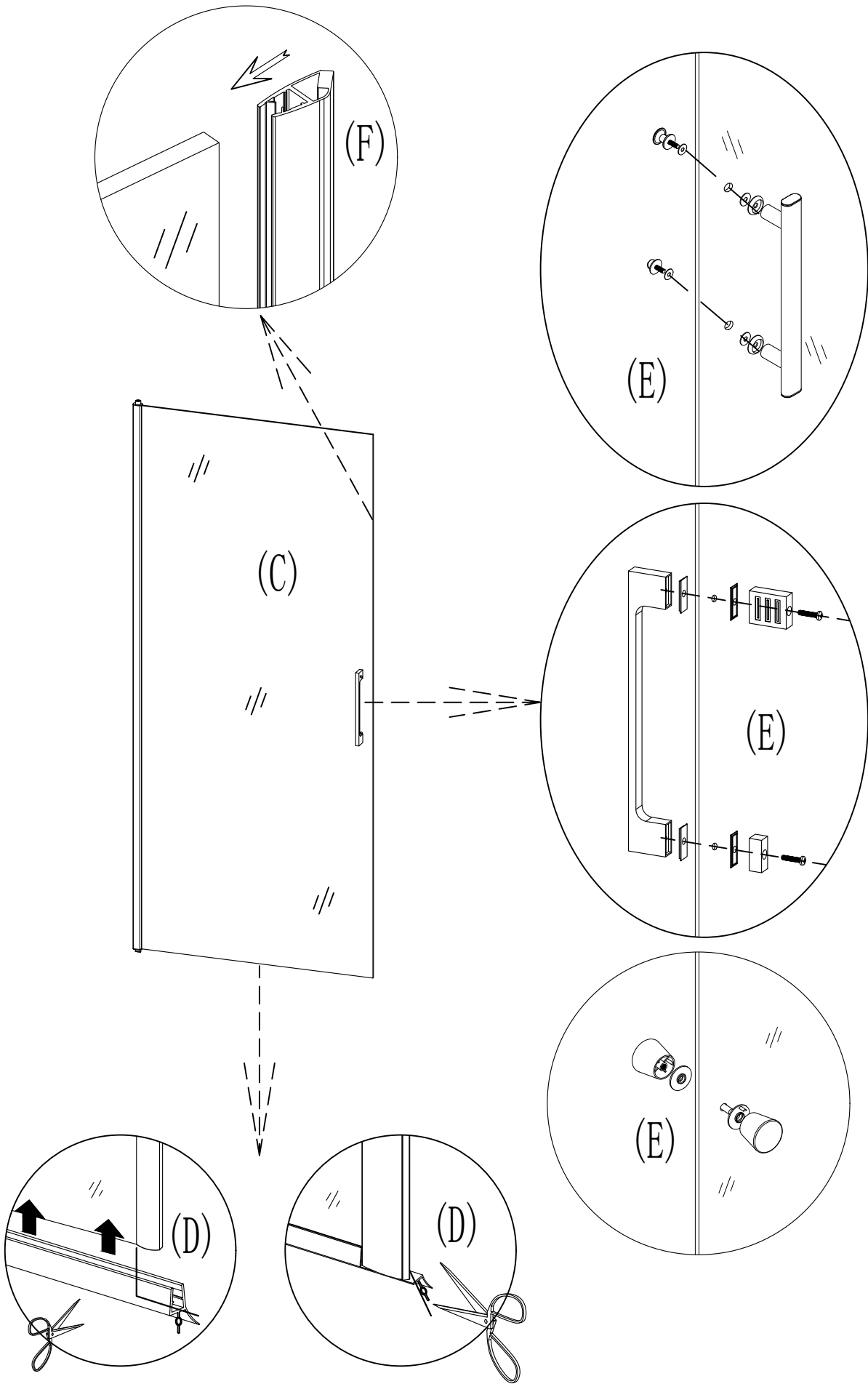
A		8	G		1	M		1
B	 ST4X30	8	H		1	N		1
C		1	I		1	O		1
D		1	J		1	P		1
E		1	K	 ST4X30	2			
F		1	L		1			

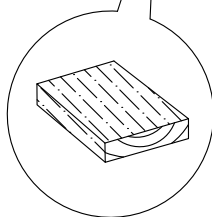
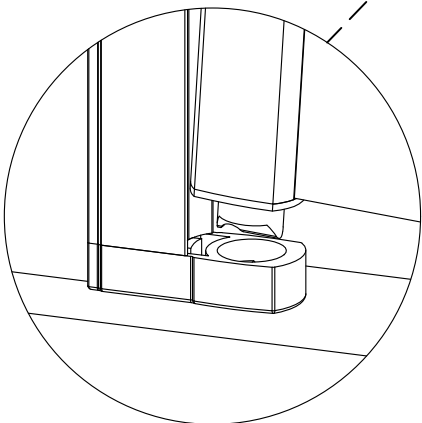
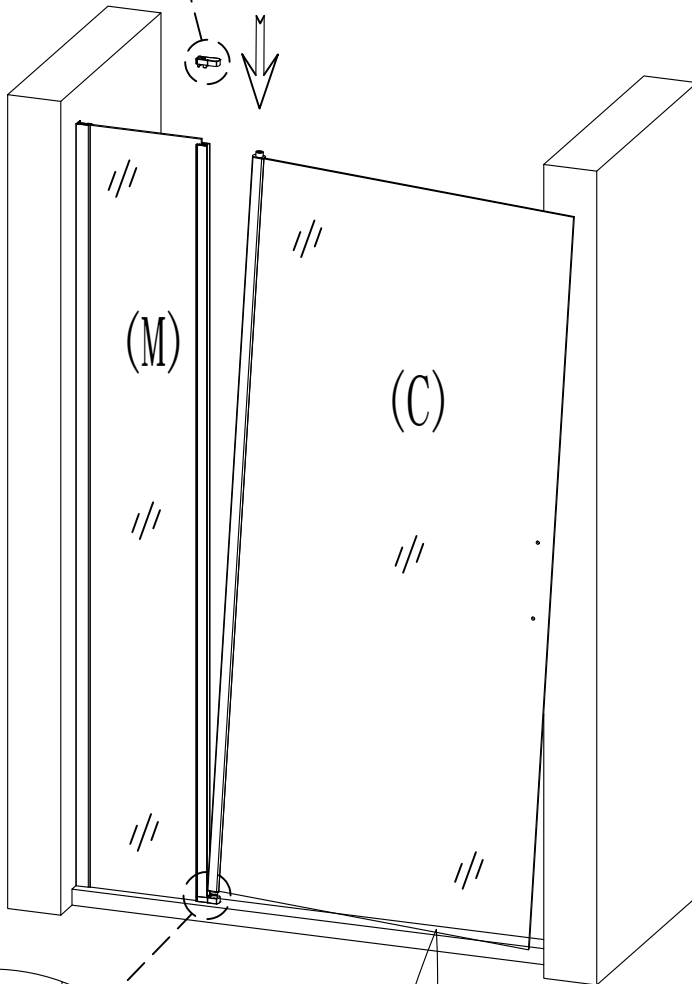
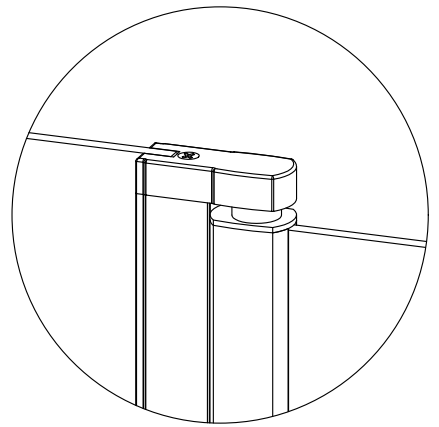
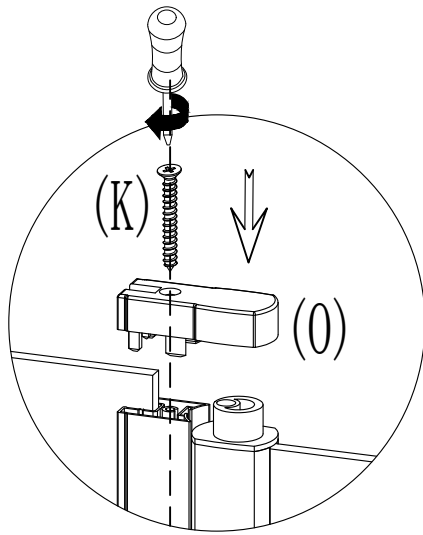
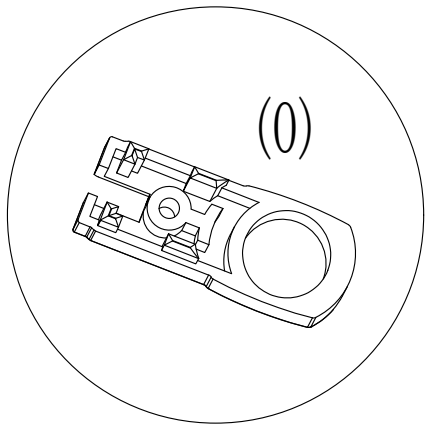


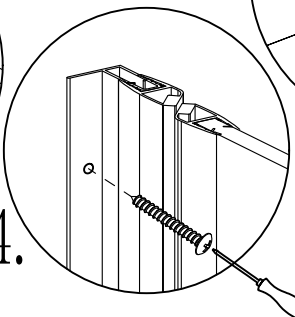
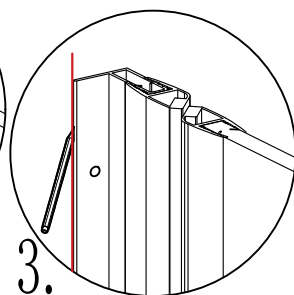
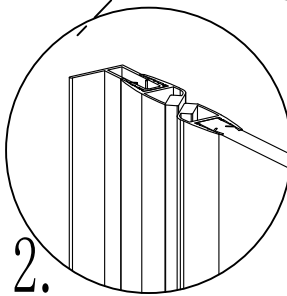
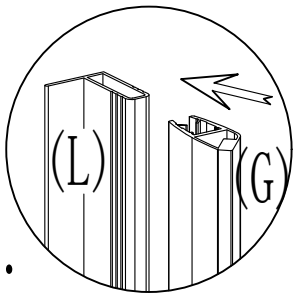
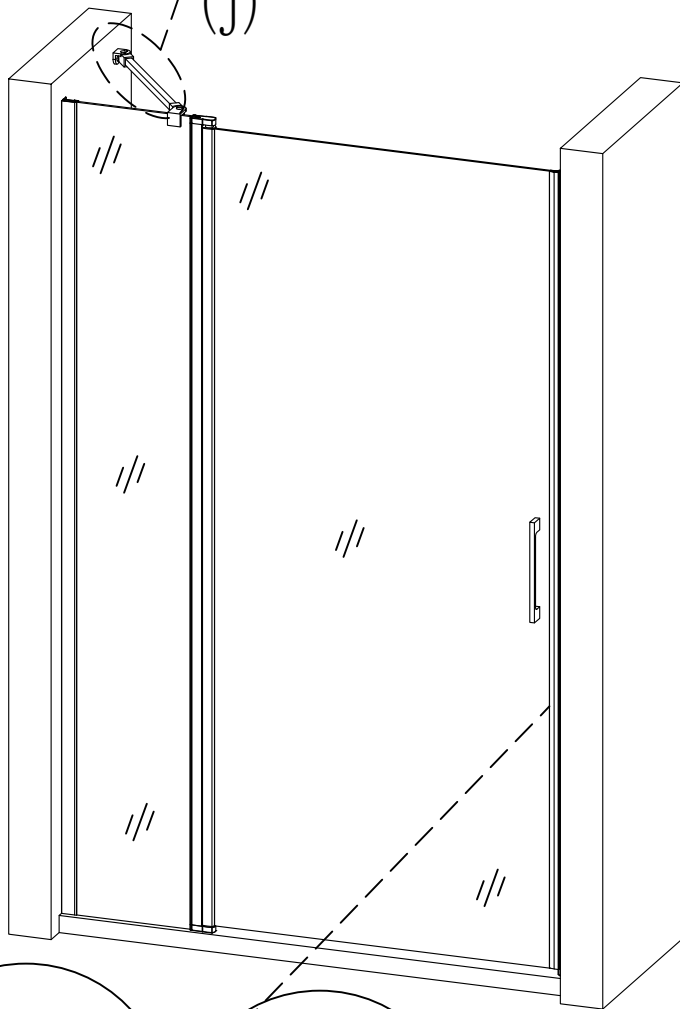
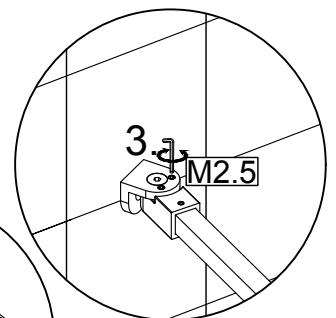
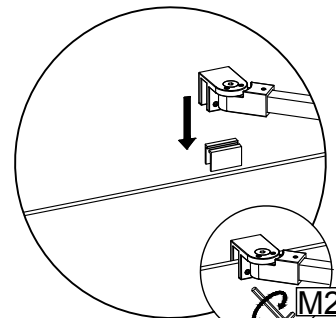
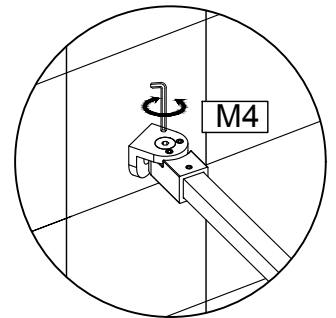
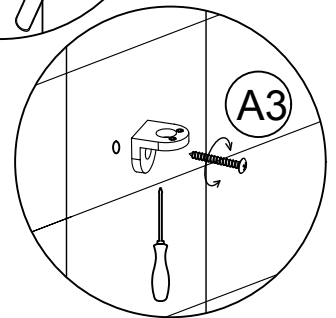
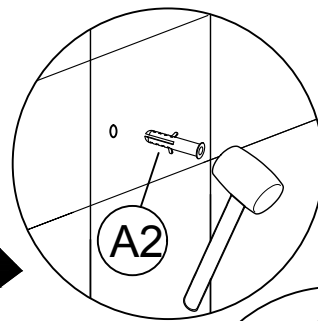
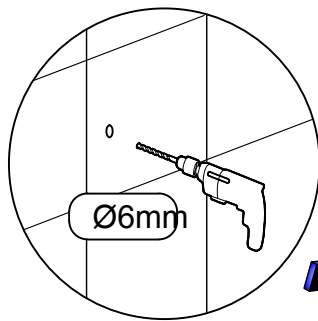
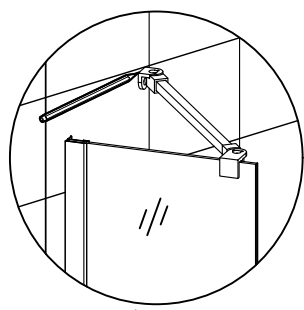
Ø6,Ø2.8









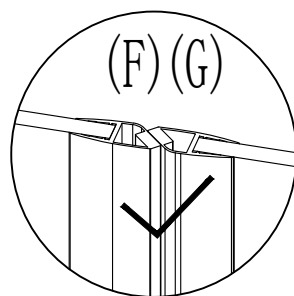
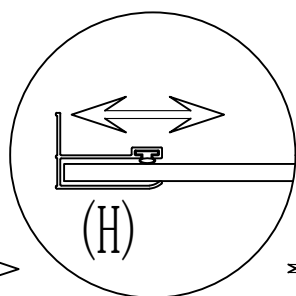
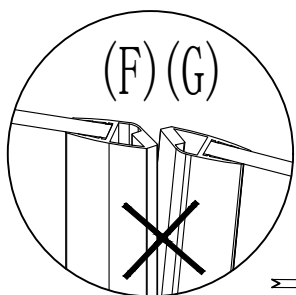


1.

2.

3.

4.



(F) (G)

(H)

(F) (G)

